

S&T Security System Co.,Ltd.

www.thongn.go.com

Mail: saiphet@hotmail.com

Tel: 66 2791 0623

PRODUCTS CATALOG 2008

Head Office:

39/34 Moo1, Shukhapiban 5 Road, O-Ngoen, Saimai, Bangkok 10220 Thailand
Telephone: 66 2791 0623, 66 2791 0624 TeleFax: 66 2791 0623 Exit 108

Chiang- Mai Branch:

4/5 Soi Changphuek Road, T.Seephum, A.Mueang, Chiang-Mai 50300 Thailand
Telephone: 66 53 226567 TeleFax: 66 53 216 209

About Us

S&T Security System Company Limited had been know in the industry for over years. We are specially on Projects Design, Security System, Network System and Building Automation. We had customers all around the country from well know building, Bank, Hotel including public sector.

We can also providing you with CCTV(Digital Video Recorder Network System), Access Control System, Finger Scan, Proximity Card Reader, Vehicle Suneillance System, X-Web, Conference Room, Fire Alarm System, Pabx Telephone Branch, Sound System, products at the most affordable prices in the industry.

S&T Security System Company Limited offers a complete line of CCTV products ranging from cameras, monitors and digital recorders to peripherals such as power supplies and lenses. All S&T Security System products are manufactured to the highest level of quality but with price competitiveness in mind. Most S&T Security System products carry a 3 year warranty and technical/sales/IT support is available any time between 8:30am to 8:00pm Monday through Friday Pacific time.

Net 10 terms are available upon approved credit. Many distribution programs are available to help enable distributors to serve dealers with ease and comfort. Stock rotation programs and marketing support is also available on a per case basis. You may also visit www.thongngao.com for product info and printable spec sheets.

At S&T Security System Company Limited, we know that our success is directly dependent on your success. Therefore we will do everything possible to insure that our products fit your needs and are delivered to you at prices that help you increase your bottom line.

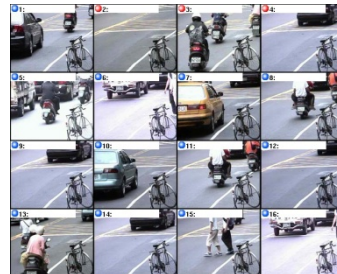
V-TEC Digital Video Recorder

4/8/16 Camera Inputs NTSC : 480Fps, PAL : 400Fps, Real-Time
Hard-Disk 500GB – 1TB Storage



Product Features

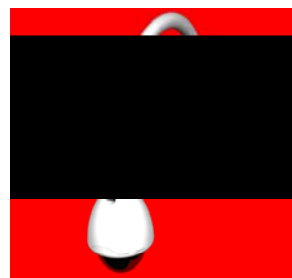
- : ST-WD16CART NTSC 480Fps, PAL 400Fps
- : Max Resolution NTSC 640 x 480, PAL 704 x 576 Pixel
- : Compression Technology 8Channel MPEG-4, 16Channel VG-Z Software + Hardware
- : TV-Monitor AV 3 Output , VGA 1 Output
- : Dynamic Compression Rate = 40:1 ~ 240:1 Automatic changes Depends on the Image 's Moving situation Average Dynamic Compression rate = 40:1 ~ 2400:1
- : Depends on the movement of detected images to activate recording and image compression, and to trigger the alarm function.
- : Automatically restarts the computer and run Software program at the set time when the system crushed.
- : 8 I/O controlling Ports, (TTL Compatible Signal)





Software Functions

- : Recycle Recording mode
- : Program recording mode (Schedule recording per each camera)
- : Detection area alarm triggering recording and alarm mode.
- : Under Recording or monitoring mode, automatic enlargement of each camera image each time for better monitoring. Other cameras still under recording mode.
- : Support all hard disks plugged in the computer
- : Motion Image trigger Alarm/Sensor input trigger Alarm/Video lost trigger alarm
- : Each Camera can be self-defined : Sound Alert (support self-recorded) and its alarm sound, Activate recording changing recording speed, snapshot, remote alert (Real-time image transmission, Phone or mobile phone sound alert, pager number alert)
- : Support E-Mail alert (Transmission of pictures and images)
- : Pre-Alarm function
- : Record the images before motion image activate recording
- : Record the alarm activated time, And to playback the images by choosing the recorded time directly.
- : Recording, Playback, Remote monitoring and image viewing at the same time.
- : Audio Recording mode. Also support Mic-in recording on the sound card
- : Can be searched by time, date, host name and alarm log mode.
- : Each camera can set screen confidentiality individually to hide the camera at some important points, System supervisor can set the needs and authorizations for different users for local or remote user and monitoring for confidential purpose.
- : By using RS422/RS485 for direct control of the dome to move up, down, left, right , zoom in/out, iris and focus, preset point setting and control, auto pan function, and the cruise function.
- : By using RS422/RS485/VGIO to provide multi input sensor/output port for I/O Control
- : Provide controllable E-map to locate the cameras.
- : Combine the sensor input trigger alarm function with Dome' s Present point to capture alarm images.
- : Live Audio monitoring, two way intercommunication





- : Watermark Picture and video recording
- : Support Windows XP/2000/NT/98/Me
- : Operating System Windows XP/2000
- : Webcam Function User can perform the remote using IE Browser
- : Remote Control transmission PSTN, LAN, Internet Web Browser
- : Transmission Speed is depends on the number of transmission images and its signal condition
- : Remote access and record the live images from the other host system and the remote site can also record images. Can also remote PTZ, Output Port and to set the remote alarm detective area, recording snapshot, activate or inactive the alarm.
- : Network Functions by using server to server functions through the Static IP (No need for 2 network cards) for each end of software Server (s) , it can then remote monitor the virtual IP to virtual IP from different network (Under Router or IP sharer) . Can remote simultaneously more than one system, and also support more to more remote monitoring functions.
- : My Channel Can monitor (monitor and recording) multi hosts simultaneously to the same computer screen, Can also split the cameras in different systems into different pages.

Safety:

PAL AND NTSC Models: CE.

MODEL NUMBER

- : ST-WD4CRT
- : ST-WD8CRT
- : ST-WD16CRT
- : ST-WD16CRT2

S&T SECURITY SYSTEM CO.,LTD.

39/34 Soi Watcharaphon Sukhapiban 5 Rd., O-Ngoen

Saimai Bangkok 10220 THAILAND

Tel : 02-791-0623-4, Fax : 02-791-0623-4 # 108

www.thongngao.com, saiphet@hotmail.com

VT-0504DCL

1/3" SONY CCD CAMERA COLOR BODY medium resolution

Features



- Plastic housing dome style
- 1/3" SONY CCD 480 Line resolution
- 0.3 Lux illumination
- Auto Electronic shutter
- Auto white balance
- Support Auto Iris Lens / Fix Lens
- Body Black and Wirth Color

Specifications

Image Sensor	1/3" SONY CCD CAMERA COLOR DOME
Picture Elements	EIA/NTSC 752H x 582V CCIR/PAL 752H x 582V
Horizontal Frequency	EIA/NTSC 15.734kHz CCIR/PAL 15.625Khz
Vertical Frequency	EIA/NTSC 60Hz CCIR/PAL 50Hz
Clock Frequency	EIA/NTSC 19.0699Mhz CCIR/PAL 18.9375 Mhz
Scanning System	2:1 Interlace
Horizontal resolution	480 Lines
Power Supply	12V DC@ 130ma
Illumination	0.3 Lux
Signal to Noise ration	48dB
Auto Electronic Shutter Speed	1/10000 sec (Linear)
Support	Lens Auto Iris / Fix Lens
Video Output	1V pp 75 Ohms
Audio Output	No
Gamma	0.45
White Balance	Auto tracing
Backlight Compensation	Yes
Gain Control	Auto
Auto Iris	Yes
Weight	170g
Dimensions	130 x 110mm
Storage Temperature	-30C to +60C
Operating Temperatures	-10C to +45C

V-TEC VT-0505DCL Digital Color Cameras

- 1/3-inch Format " SONY CCD " Imager Super Lolux
- High Resolution 520 TV Line 0.03 Lux
- High Sensitivity
- Back light Compensation
- Electronic Shutter
- Video and DC Iris Control
- Line Lock With External Phase Adjustment
- AC/DC Low Voltage Supply



The **V-TEC VT-0505DCL** Cameras are compact, rugged, 1/3-inch image format SONY CCD digital color CCD cameras. The plug&play installation and their high sensitivity, resolution and reliability provide the most economic solution in all environments.

Both the PAL and NTSC versions are available ac/dc low voltage supply. Each offering wide power supply voltage range allowing flexible installation. These cameras are provided with a standard CS-mount for use with a wide variety of lenses.

They can be used with fixed iris lenses, manual iris lenses, DC-iris lenses, and video-iris lenses.

Automatic white balance and back light compensation support their excellent scene reproduction.

The wide range of through the lens automatic sensing white balance provides true to life color images in indoor and outdoor applications.

With user selectable back light compensation, the camera responds to the average content of the entire video signal, or can be activated to establish a central area for automatic light control. If an object falls within this area, the camera will automatically adjust to set optimum contrast. This particularly useful in applications having bright light such as doorways, loading docks, windows and ATMs (automatic teller machines).

Enhanced picture quality, true color reproduction and outstanding reliability make them an excellent choice for economic professional, commercial and industrial surveillance systems in both indoor and outdoor applications.

V-TEC Communication, Security & Imaging

V-TEC

SPECIFICATIONS

Electrical

Model No.	Rated Voltage	Voltage Range
<i>PAL Model</i>		
VT-0505DCL	12 VAC, 50 Hz	12 to 24 VAC
	12 VDC	10.8 to 33 VDC
<i>NTSC Model</i>		
VT-0505DCL	12 VAC, 60 Hz	12 to 28 VAC
	12 VDC	10.8 to 39 VDC

Power dissipation: <5 W for all models. All models operate on AC or DC.

Imager: Interline transfer SONY CCD; 1/3-inch image format.

Active Picture Elements:

PAL Model: 752 H x 582 V NTSC Model: 768 H x 492 V.

Horizontal Resolution: 520 TVL. 0.03 LUX

Sensitivity (3200 K): Full (30 IRE) Video

Scene illumination¹ fc 0.07 0.4 lx 0.7 4 Imager illumination fc 0.008 0.06 lx 0.08 0.6
1. For f/1.2 lens, 75% scene reflectance.

Signal-to-Noise: >50 dB minimum.

Electronic Shutter: Automatic, 1/50 (1/60) to 1/100000.

AGC: 33 dB max

Aperture correction: Horizontal and vertical.

Back Light Compensation: Center window weighting for AGC, electronic shutter and DC-iris.

White balance: Automatic sensing (Thru the lens): (2500K to 8000K).

Video Output: 1.0 Vp-p, 75 ohm.

Synchronization:

Line-Lock (When powered by AC): Synchronizes camera to power line zero crossing for roll-free vertical interval switching. Vertical phase delay can be externally adjusted to allow vertical synchronization in multiphase power installations.

Crystal lock (when powered by DC): Internal crystal reference is standard on all models

Controls:

Phase Adjust Range: 300° (when powered by AC).

Back light Compensation: On/Off.

Back-Focus: External adjustment.

Iris: DC/Video.

DC Iris Level: Low/High.

Automatic Electronic Shutter: On/Off.

Connectors:

Video Out: BNC.

Iris: 4-pin connector.

Power: Screw terminals, power supply input terminals

are isolated from video output terminals.

Lens Mount: CS.

S&T Security System Co.,Ltd

Camera Mounts: 1/4"-20 UNC, top and bottom.

Finish/Case: Mushroom/metal housing.

Dimensions:

Housing size: 121 L x 68 W x 49 H mm

(4.76 x 2.68 x 1.93 in).

Including connectors and mounting block: 130 L x 68 W x 59 H mm (5.12 x 2.68 x 2.32 in)

Weight: 0.49 kg (1.1 lb).

Environmental

Operating Temperature: -20 °C to +50 °C (-4 °F to +122 °F).

Electromagnetic Compatibility EMC Requirements:

PAL Models: 89/336/EEC. Immunity: EN50130-4. Emission: EN50081-1 Class B.

Safety:

PAL Models: CE. UL & cUL.

NTSC Models: CE. UL & cUL.

MADE IN : JAPAN

S&T SECURITY SYSTEM CO.,LTD.

39/34 Soi Watcharaphon Sukhapiban 5 Rd., O-Ngoen

Saimai Bangkok Thailand 10220

Tel : 02-791-0623-4 Fax : 02-791-0623-4 # 108

www.thongngao.com , e-mail : saiphet@hotmail.com

V-TEC

VT-D0505DCL

1/3" SONY CCD CAMERA COLOR DOME
midi style medium resolution



Features

- Plastic housing dome style
- 1/3" SONY CCD 480 Line resolution
- 0.3 Lux illumination
- Auto Electronic shutter
- Auto white balance
- Lens 3.6 mm
- Body Black and Wirth Color

Specifications

Image Sensor	1/3" SONY CCD COLOR CAMERA DOME
Picture Elements	EIA/NTSC 752H x 582V CCIR/PAL 752H x 582V
Horizontal Frequency	EIA/NTSC 15.734kHz CCIR/PAL 15.625Khz
Vertical Frequency	EIA/NTSC 60Hz CCIR/PAL 50Hz
Clock Frequency	EIA/NTSC 19.0699Mhz CCIR/PAL 18.9375 Mhz
Scanning System	2:1 Interlace
Horizontal resolution	480 Lines
Power Supply	12V DC@ 110mA.
Illumination	0.3 Lux
Signal to Noise ration	48dB
Auto Electronic Shutter Speed	1/10000 sec (Linear)
Lens	3.6mm
Video Output	1V pp 75 Ohms
Audio Output	No
Gamma	0.45
White Balance	Auto tracing
Backlight Compensation	Yes
Gain Control	Auto
Auto Iris	Yes
Weight	150g
Dimensions	120 x 100mm
Storage Temperature	-30C to +60C
Operating Temperatures	-10C to +45C

VT-D0506DCL

1/3" SONY CCD CAMERA COLOR DOME midi style medium resolution



Features

- Plastic housing dome style
- 1/3" SONY CCD 480 Line resolution
- 0.3 Lux illumination
- Auto Electronic shutter
- Auto white balance
- Support Lens 4mm-20mm (Fix Lens)
- Body Black and Wirth Color

Specifications

Image Sensor	1/3" SONY CCD CAMERA COLOR DOME
Picture Elements	EIA/NTSC 752H x 582V CCIR/PAL752H x 582V
Horizontal Frequency	EIA/NTSC 15.734kHz CCIR/PAL 15.625Khz
Vertical Frequency	EIA/NTSC 60Hz CCIR/PAL 50Hz
Clock Frequency	EIA/NTSC 19.0699Mhz CCIR/PAL 18.9375 Mhz
Scanning System	2:1 Interlace
Horizontal resolution	480 Lines
Power Supply	12V DC@ 130ma
Illumination	0.3 Lux
Signal to Noise ration	48dB
Auto Electronic Shutter Speed	1/10000 sec (Linear)
Support	Lens 4,6,8,12,14,16,18,20mm
Video Output	1V pp 75 Ohms
Audio Output	N/A
Gamma	0.45
White Balance	Auto tracing
Backlight Compensation	N/A
Gain Control	Auto
Auto Iris	Yes
Weight	170g
Dimensions	130 x 110mm
Storage Temperature	-30C to +60C
Operating Temperatures	-10C to +45C

VT-D0507DCL/WP

1/3" SONY CCD CAMERA COLOR DOME
Waterproof DOME High resolution



Features

- Waterproof housing dome style
- 1/3" SONY CCD 520 Line resolution
- 0.03 Lux illumination
- Auto Electronic shutter
- Auto white balance
- Support Lens 4mm-20mm (Fix Lens)
- Body Black and Wirth Color

Specifications

Image Sensor	1/3" SONY CCD CAMERA COLOR DOME
Picture Elements	EIA/NTSC 752H x 582V CCIR/PAL752H x 582V
Horizontal Frequency	EIA/NTSC 15.734kHz CCIR/PAL 15.625Khz
Vertical Frequency	EIA/NTSC 60Hz CCIR/PAL 50Hz
Clock Frequency	EIA/NTSC 19.0699Mhz CCIR/PAL 18.9375 Mhz
Scanning System	2:1 Interlace
Horizontal resolution	520 Lines
Power Supply	12V DC@ 130ma
Illumination	0.03 Lux
Signal to Noise ration	48dB
Auto Electronic Shutter Speed	1/10000 sec (Linear)
Support	Lens 4,6,8,12,14,16,18,20mm
Video Output	1V pp 75 Ohms
Audio Output	N/A
Gamma	0.45
White Balance	Auto tracing
Backlight Compensation	N/A
Gain Control	Auto
Auto Iris	Yes
Weight	170g
Dimensions	130 x 110mm
Storage Temperature	-30C to +60C
Operating Temperatures	-10C to +45C

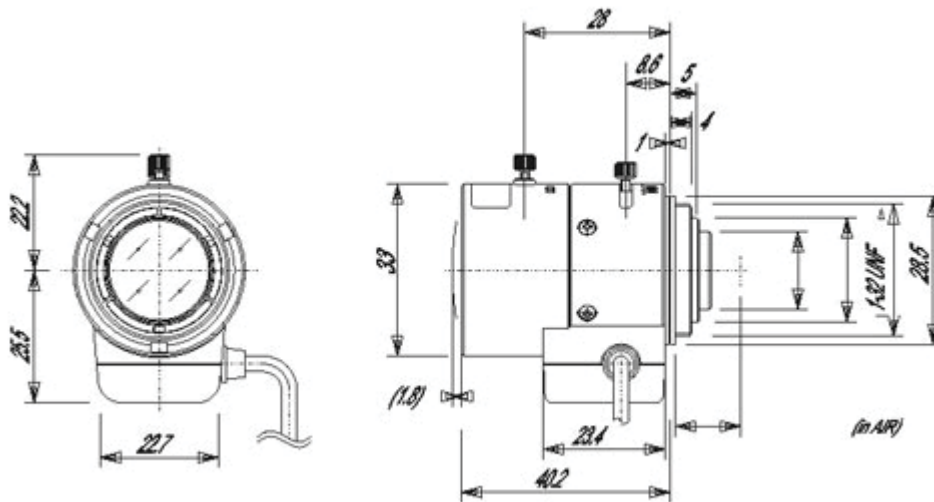
V-TEC

15-L0258ZDT

Lens Verifocal Auto Iris 2.5 to 8mm with auto iris focusing range 0.2m to infinity : F : 1/2



Dimensions



Specifications

Part	Focal Length	Aperture	View Angle	View Angle	Mount	Focus	Zoom	Iris
			H & V	H & V				
			1/3"	1/4"				
15-L0258ZDT(wide)	2.5 > 8.0mm	F1.0 > 360	91 x 67	67 x 49	CS	Man W/ Lock	Man W/ Lock	Auto DC Drive
15-L0308ZDT(Tele)	3.0 > 8.0mm	F1.0 > 360	36 x 27	27 x 20	CS	Man W/ Lock	Man W/ Lock	Auto DC Drive

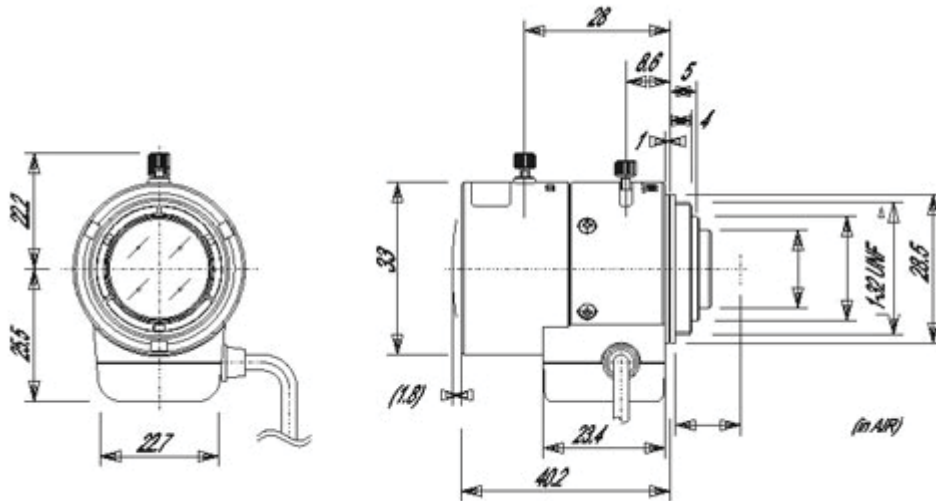
V-TEC

15-L03516ZDT

Lens Verifocal Auto Iris 3.5 to 16mm with auto iris focusing range 0.2m to infinity : F : 1/3



Dimensions



Specifications

Part	Focal Length	Aperture	View Angle	View Angle	Mount	Focus	Zoom	Iris
			H & V	H & V				
			1/3"	1/4"				
15-L03516ZDT(wide)	3.5 > 16mm	F1.4 > 360	91 x 67	67 x 49	CS	Man W/ Lock	Man W/ Lock	Auto DC Drive
15-L03550ZDT(Tele)	3.5 > 50mm	F1.4 > 360	36 x 27	27 x 20	CS	Man W/ Lock	Man W/ Lock	Auto DC Drive

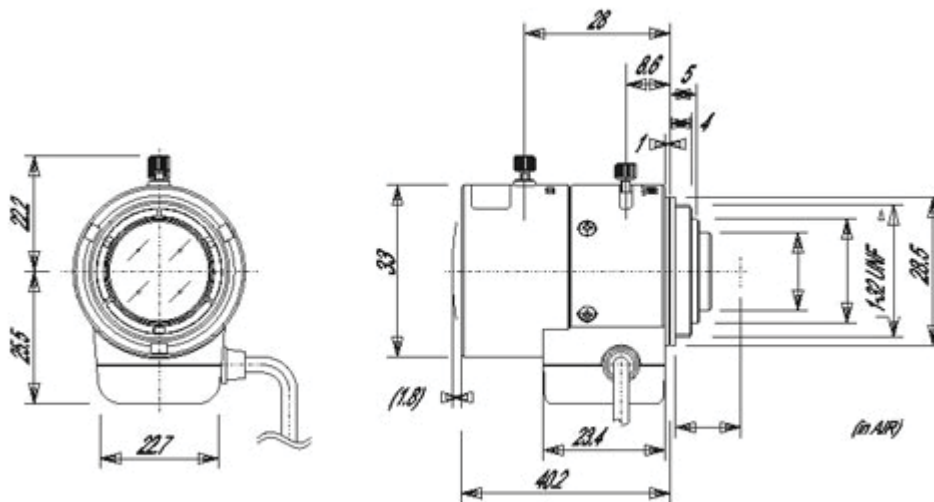
V-TEC

15-L0550ZDT

Lens Verifocal Auto Iris 5 to 50mm with auto iris focusing range 0.2m to infinity : F : 1/2



Dimensions



Specifications

Part	Focal Length	Aperture	View Angle	View Angle	Mount	Focus	Zoom	Iris
			H & V	H & V				
			1/3"	1/4"				
15-L0358ZDT(wide)	3.5 > 8.0mm	F1.0 > 360	91 x 67	67 x 49	CS	Man W/ Lock	Man W/ Lock	Auto DC Drive
15-L0550ZDT(Tele)	5.0 > 50.0mm	F1.0 > 360	36 x 27	27 x 20	CS	Man W/ Lock	Man W/ Lock	Auto DC Drive

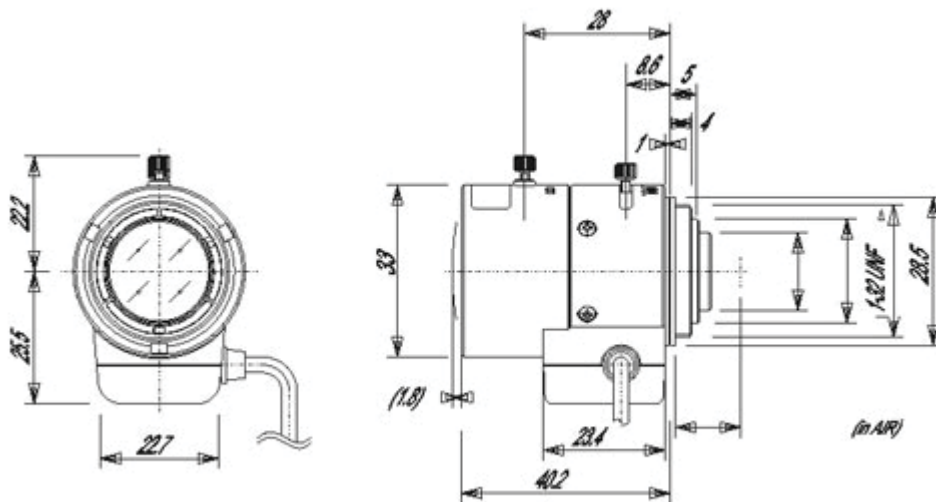
V-TEC

15-L0550ZDT

Lens Verifocal Auto Iris 5 to 50mm with auto iris focusing range 0.2m to infinity : F : 1/2



Dimensions



Specifications

Part	Focal Length	Aperture	View Angle	View Angle	Mount	Focus	Zoom	Iris
			H & V	H & V				
			1/3"	1/4"				
15-L0358ZDT(wide)	3.5 > 8.0mm	F1.0 > 360	91 x 67	67 x 49	CS	Man W/ Lock	Man W/ Lock	Auto DC Drive
15-L0550ZDT(Tele)	5.0 > 50.0mm	F1.0 > 360	36 x 27	27 x 20	CS	Man W/ Lock	Man W/ Lock	Auto DC Drive

WARRANTY

Every Products have 3 years Warranty

THANK YOU